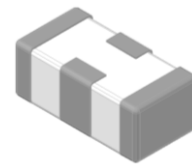


Chip 3-Terminal EMI Filter – MFL Series

Operating Temp. : -40°C~+85°C



FEATURES

- Multilayer structure and low profile enables high density mounting
- Crosstalk is prevented due to closed magnetic circuit
- Steep attenuation characteristics achieves effective noise suppression

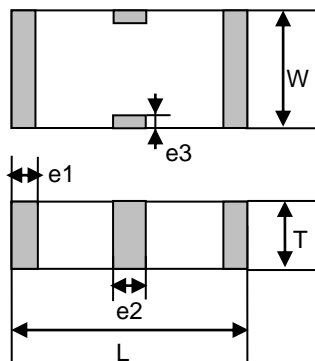
APPLICATIONS

- Noise suppression in visual signal such as DVD, DSC, LCD, PDP, etc
- Suppression of high magnitude radiated noise generated by high speed digital circuits such as clock line

PRODUCT IDENTIFICATION

<u>MF</u> ①	<u>L</u> ②	<u>2012</u> ③	<u>SP</u> ④	<u>401</u> ⑤	<u>M</u> ⑥	<u>1C</u> ⑦	<u>T</u> ⑧	<u>F</u> ⑨
① Type MF Chip EMI Filter		② Structure Code L			③ External Dimensions (LxW) (mm) 2012 [0805] 2.0x1.2			
④ Feature SP PI Type Circuit		⑤ Cut-off Frequency Example Nominal Value 401 400MHz			⑥ Tolerance of Cut-off Frequency M ±20%			
⑦ Rated Voltage 1C 16V		⑧ Packing T Tape Carrier Package			⑨ Hazardous Substance Free Products F			

SHAPE AND DIMENSIONS



Unit: mm [inch]

Type	L	W	T	e1	e2	e3
MFL2012 [0805]	2.0±0.2 [.079±.008]	1.2±0.2 [.047±.008]	0.95±0.2 [.037±.008]	0.3±0.15 [.012±.006]	0.5±0.15 [.020±.006]	0.3±0.15 [.012±.006]

SPECIFICATIONS

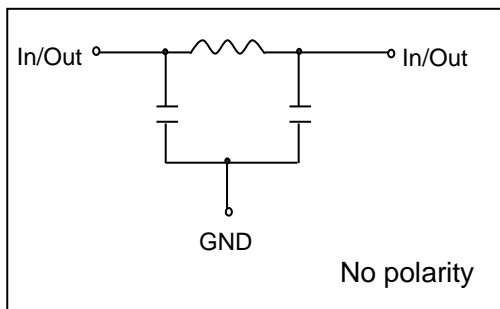
MFL2012 TYPE

Part Number	Cut-off Frequency	Rated Voltage	Rated Current	Min. Insulation Resistance	Max. DC Resistance	Attenuation
Units	MHz	Volt	mA	MΩ	Ω	dB
Symbol	f_0	V_{DC}	I_r	IR	DCR	-
MFL2012SP401M1CTF	400	16	300	200	0.8	20dB Min. at 800-2000MHz

TYPICAL ELECTRICAL CHARACTERISTICS

MFL2012SP TYPE

Equivalent Circuit



Insertion Loss Characteristics (Typical)

